

Data sheet CAHS D-ORKAN



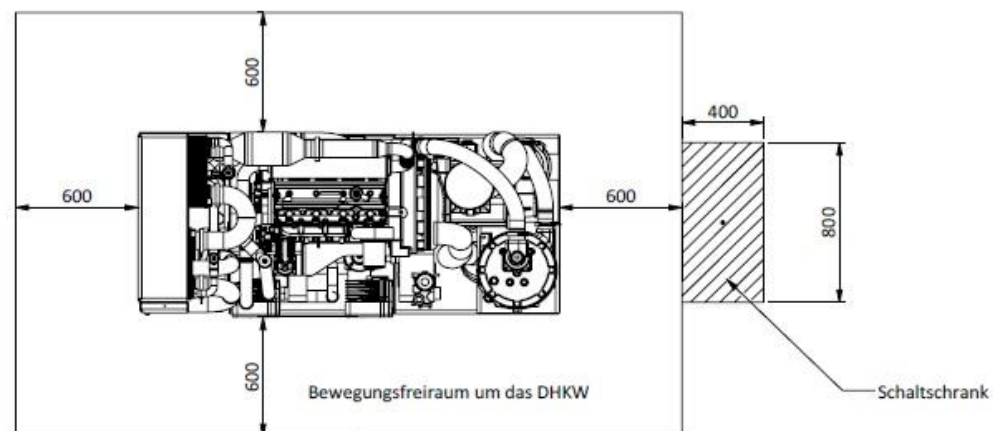
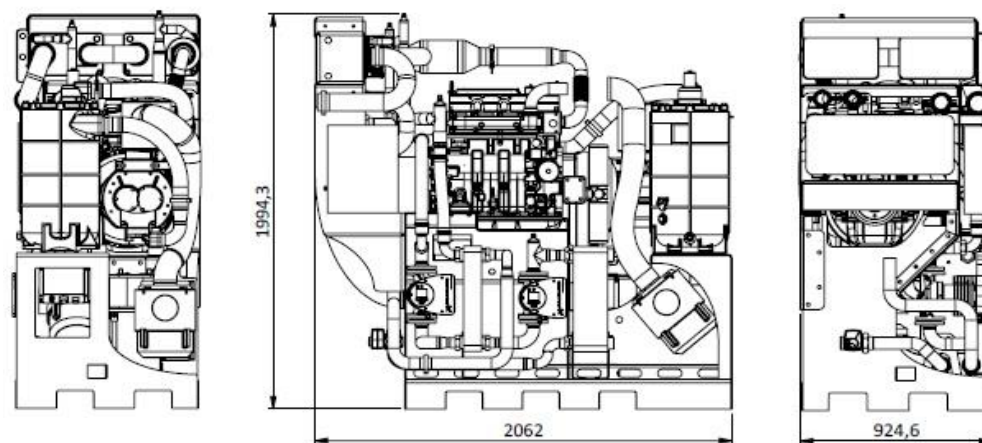
General Data \ model	08/630	10/555	13/470
Recoverable thermal output ¹	111 - 190 kW		
Fuel consumption (Hu=10,0 kW/Nm ³)	17,7 Nm ³ /h		
Power requirement (kW)	2,5 kW		
BUS-System	Modbus TCP		
Remote maintenanceTCP/IP	Yes		
Engine			
Type	R4		
Engine displacement	4,9 L		
Engine Type	Naturally aspirated		
Brennstoffeinsatz ²	177 kW		
RPM, min ⁻¹	1800		
ISO standard power (mech.) ²	64 kW		
Engine cooling water heat quantity	59 kW		
Exhaust gas heat capacity 110 °C	44 kW		
Efficiency Thermal ²	58,2 %		
Efficiency Combined (el. + th.) ²	94,4 %		
Engine oil	semi-synthetic		
Lubrication oil consumption	19,2 g/Bh		
Filling capacity lubricant (max.)	11,5 + 150 L		
Compressor			
Manufacturer	Atlas Copco		
Heat recovery compressor	52 kW		
RPM, min ⁻¹	4600	4375	3750
outlet pressure, barg ³	8	10	13
Free air delivery (FAD), m ³ /min ³	10,5	9,25	7,83
Modulation / power control	60 - 100 %		
compressed air connection	DN 50 PN 16		

Gas supply	
Gas train	nach DIN
Interface Gas	DN 25 (1")
Gas flow pressure	30 - 50 mbar
Air supply	
Combustion air mass flow	223 kg/h
Air temperature	25 °C
Exhaust	
Interface Exhaust	DN 80
TA-Luft	yes
Exhaust temperature	650 °C
Condensate mass flow	25 kg/h
Max. permissible back pressure	< 15 mbar
flow rate, dry	193 Nm ³ /h
mass flow, wet	236 kg/h
Hydraulic integration	
Interface inlet/outlet	DN 50 (2")
Norm in-/outlet temperatur	70 / 90 °C
Standard flow rate	6,7 m ³ /h
heating water pressure	2,5 bar (ü)
Dimensions / Weight	
Dimensions (lxwxh), mm	2062x925x1995
Weight Module (w/o operating fluids)	2000 kg
Dimensions housing (LxBxH), mm	2450x1180x2110
Weight housing	562 kg
Dimensions cabinet (LxBxH), mm	800x300x1200
Weight cabinet	120 kg
Recommended concrete strength	C20/25
Payload, qk	3,5 kN/m ²

¹ with a tolerance of ±7%; ² acc. to ISO 3046-1; ³ acc. to ISO 1217, Anh. D.

Data sheet CAHS D-ORKAN

Noise emissions (incl. standard silencer)	
- Unit 1 m / 10 m	75 / 65 dB(A)
- Exhaust gas stack 10 m	67 dB(A)
Exh. emissions with catalytic converter	
NO _x	≤ 250 mg/Nm ³
CO	≤ 250 mg/Nm ³
HCHO	≤ 5 mg/Nm ³
Protection class	
- Unit	IP 23
- Unit with housing	IP 53
- Control cabinet	IP 55
Options	
Housing	yes
Additional silencer	yes
Emergency cooler	yes
Gas warning system	yes
Knock control	yes
Gross calorific value	yes
additional lubrication oil tank	yes
LTE / UMTS-modul	yes
BUS-converter	yes
heat meter (calibrated)	yes
Neutralisation plant	yes
Compressed air flow meter	yes
Containerised solution	yes
Remote control	yes
Catalyst technology for oil-free air	yes
Directly heated adsorption dryers	yes
Master Control readynes	yes
Contribution, installation, commisioning	yes



Subject to technical changes